

total flexibility

specifications Model 4000kg / 8000lbs / 6000kg / 14000lbs
Optional Lift Heights (4040mm – 8000mm / 159"-315")

Combilift

handling materials - in all directions



making short work of long loads



Handling engineered wood is just one of an increasing number of applications benefiting from the **Combilift's** versatility.



A 'quick-release' four-fork attachment is available for use with extra long loads.



Block stacking and high-bay storage are easily accommodated with the flexible **Combilift**.



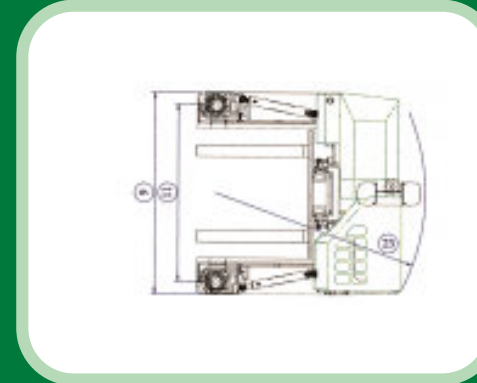
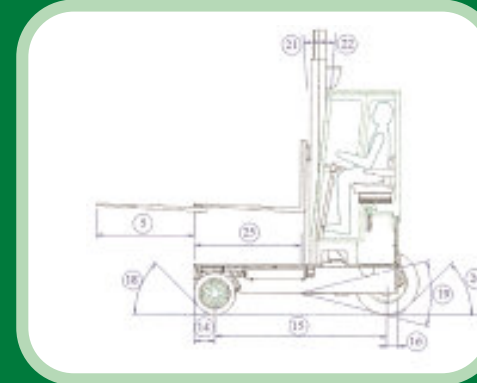
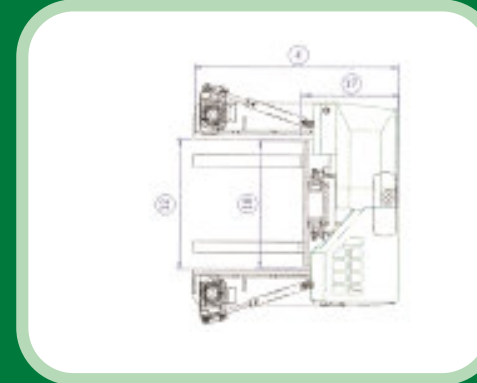
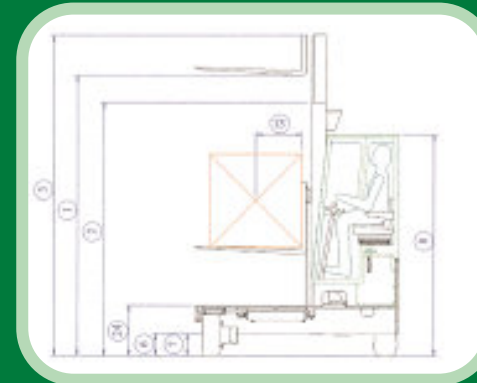
The **Combilift** can also work as a conventional counter balance forklift handling cube loads.



The **Combilift** is capable of working in un-paved yards and semi-rough terrain.



Space savings can be more than 50% in warehouses and yards, depending on the type of product stored and the existing aisle width.



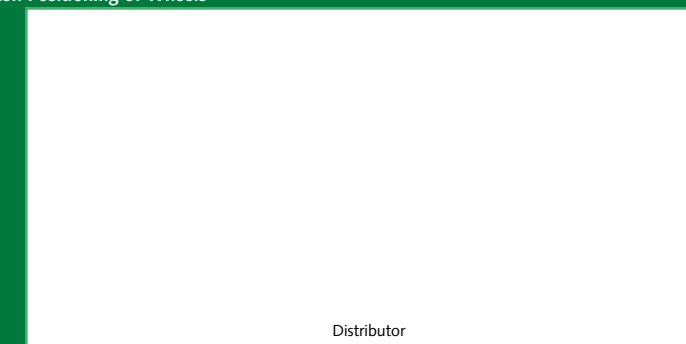
Ref	Description	C4000 / C8000	C6000 / C14000
1a	Max. Lift Height	4040mm / 159"	4536mm / 178"
1b	Free Lift Height	0mm / 0"	0mm / 0"
2	Height Mast Closed	2855mm / 113"	3430mm / 135"
3	Max. (Mast raised)	5095mm / 201"	5931mm / 233"
4	Overall Length	2300mm / 94"*	2430mm / 96"
5	Mast Travel	1250mm / 49"	1290mm / 51"
6	Ground Clearance Under Mast	150mm / 6"	290mm / 11"
7	Ground Clearance to Wheelbase Centre	200mm / 8"	165mm / 6"
8	Height Over Cab or of Overhead Guard	2410mm / 95"	2590mm / 102"
9	Width	2190mm / 86"	2800mm / 110"
10	Outside Spread of Fork Arms	1350mm / 53"	1600mm / 63"
11	Track Front	1980mm / 78"	2500 / 98"
12	Frame Opening	1400mm / 55"	1650mm / 65"
13	Load Centre Distance	600mm / 24"	600mm / 24"
14	Overhang Front	245mm / 9"	307mm / 12"
15	Wheel Base	1915mm / 75"	1915mm / 76"
16	Overhang Back	140mm / 9"*	208mm / 8"
17	Length From Face of Fork	1100mm / 46"*	1180mm / 46"
18	Approach Angle	45°	45°
19	Ramp Angle	29°	29°
20	Departure Angle	45°	45°
21	Forward Tilt	3°	3°
22	Backward Tilt	5°	5°
23	Minimum Outside Radius	2260mm / 92"*	2540mm / 100"
24	Platform Height	545mm / 21"	710mm / 28"
25	Platform Length (Options Available)	1200mm / 47"	1250mm / 49"
A	Capacity	4000kg / 8000lbs	6000kg / 14000lbs
B	Unladen Weight	5800kg / 12780lbs	11800kg / 26000lbs
C	Maximum Ground Speed	15km/h / 9mph	16km/h / 10mph
D	Gradability	15%	15%
E	Diesel / LPG Water Cooled Engine	48.5kW / 65hp	62kW / 83hp
F	Electric's	12 Volt	12 Volt
G	Fork Section 50mm / 2"	125x1200mm / 5"x47"	200x1250mm / 8"x49"
H	200/50 x 10 Front Tyre - OD/Width	450x200mm / 18"x8"	580x240mm / 23"x10"
I	27 x 10-12 Rear Tyre - OD/Width	680x255mm / 27"x10"	820x372 / 32"x15"
J	Standard Colour	Green and Grey	Green and Grey
K	Suspension Seat	KAB Model 211	KAB Model 211

* wider cabin option

- Features include:
- Models range from 2500kg - 8000kg capacity (6000lbs - 17,000lbs)
 - Rubber Mounted Half Cabin with Top, Front, Side and Rear Glass
 - Multi-Direction Operation
 - 3 Wheel Hydrostatic Drive
 - Load Sensing Steering
 - Push Button Positioning of Wheels

Compare the options

	Outside	Inside	4-Way
Combilift	✓	✓	✓
4-Way Electric	✗	✓	✓
Counterbalance	✓	✓	✗
Side Loader	✓	✗	✗



Combilift Ltd, Clontibret, County Monaghan, Ireland

T: ++ 353 47 80500 F: ++ 353 47 80501

E: info@combilift.com W: www.combilift.com

Combilift has a policy of continuous product development and reserves the right to alter specifications without prior notice. Specifications and/or dimensions may vary from those illustrated in some countries.



three machines in one
"counterbalance forklift; sideloader; aisle truck"

The **Combilift** is an engine-powered multi-directional forklift designed primarily for handling long loads in confined areas. Suitable for use both **inside and out**, the machine can operate in aisles as narrow as 2 meters (80"). The fully synchronised **4 way steering** system provides excellent manoeuvrability. This patented feature which turns **all three wheels automatically within seconds**, is activated at the **push of a button**.



The robust construction provides maximum strength and reliability



The low profile platform design ensures optimum stability and safer product handling

In addition to the various mast height (duplex and triplex) and **chassis length options**, the **Combilift** can be fitted with a number of application specific attachments including: fork positioners and spreaders; **four-fork attachment** for long flexible loads and telescopic or tilting forks. **Guide rollers** can also be installed for use in **narrow aisle applications**. The design team at **Combilift** specialises in **customisation** to provide cost effective solutions.



The cabin is ergonomically designed to maximise operator safety, comfort, control and visibility



Machine with mast extended. Optional chassis lengths can be provided.



Machine with mast retracted enabling long loads to be rested securely on the platform.



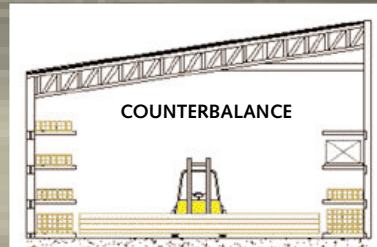
LPG option facilitates continuous operation both inside and out.

Available in **Diesel** or **LPG**, the **Combilift** can operate indoors replacing existing electric fork trucks, and outside on **semi-rough surfaces**, due to its large super-elastic tyres and all wheel **hydrostatic drive**. Downtime is also minimised as the need to recharge batteries is eliminated; **loading and unloading of trucks in confined yards** is also possible.

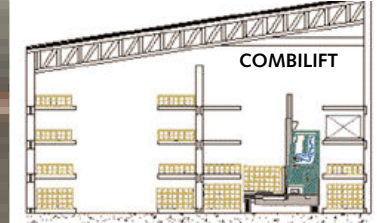
performance and reliability

comfort and control

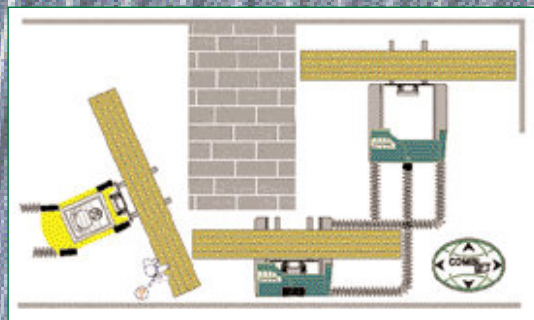
increased storage



Need more storage?



Combilift gives you "100% more"



Access Problem? - Not with a Combilift!



The ergonomically designed cabin enhances productivity through reduced driver fatigue and superior control.



Guide rollers can be installed for narrow aisle applications.

